



doucette
industries, inc

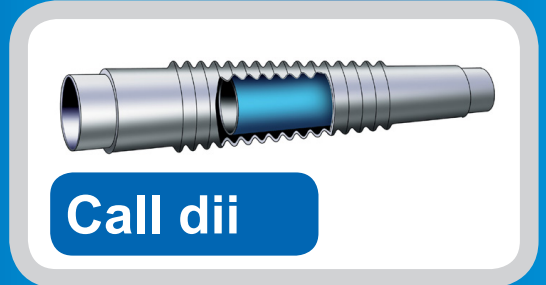
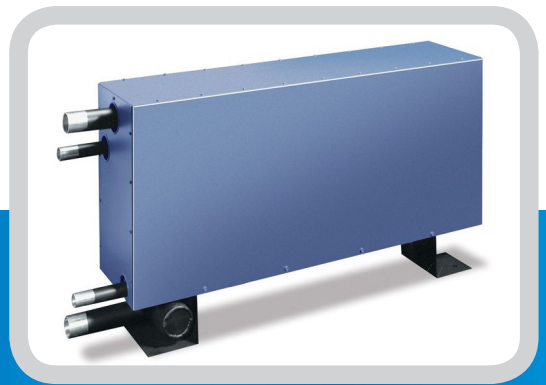
Item # AC 15-2(C), AC Series Mechanically Cleanable Desuperheaters (5 to 200 tons)

Heats Hot Water Utilizing Waste Heat from Refrigeration,
Air Conditioners and Heat Pump Systems

The Doucette AC Series Substantially Reduces Your Hot
Water Heating Costs

- Heats potable water up to 140 °F using waste heat
- Typical Payback Period of Two Years or Less
- Reduces A/C operating costs 5% to 10%
- Mechanical Cleanable Counterflow Design
- Compact and Ready to Install
- Works with All Major Manufacturers' Systems

The Doucette AC Series™ heat recovery unit delivers substantial energy savings by heating potable water by recovering waste heat from refrigeration, air conditioning and heat pump systems. The AC Series™ can effectively heat water up to 140°F, and is ideal for systems ranging from 5 - 200 HP using reciprocating, scroll and screw compressors. The unit arrives as a standard factory package that is ready to install, and can be applied to both air- and water-cooled systems using.



Call dii

Specifications

TR	15 tons	
Typical Applications	<ul style="list-style-type: none"> • Domestic Hot Water • Heating • Process Water Heating • Space Heating • Pool Heating • Hot Deck Reheat • Sub-Soil Heating 	<ul style="list-style-type: none"> • Restaurants • Hotels/Motels • Hospitals • Schools • Food Processing • Ice Rinks • Dormitories



20 Leigh Drive,
York, Pennsylvania 17406-8474



Website: www.doucetteindustries.com



Phone: 717-845-8746
Toll-free: 800-445-7511
Fax: 717-845-2864



Commercial/Industrial: AdamM@doucetteindustries.com
Residential/Light Commercial: AdamM@doucetteindustries.com



# Circuits	2
Cleanability	Mechanical
Refrig. Conn.	1 1/8 " OD/ID
Water Conn.	7/8" OD
Length	43-3/4 "
Width	6-3/4 "
Height	25-13/16 "
Weight	200 lbs

Mechanical Specifications

Optional Pump	Grundfos UPS15-35 SUC, Circulating Pump (\$990.00)
Heat Exchanger	Mechanically cleanable, vented double wall, U.L. & USDA Listed, 450 psig side DWP shell (optional 600 psig), 300 psig tube side DWP with removable cleanout fittings
Cabinet	20 Gauge, 0.040" painted aluminum with removable back panel and 1" fiberboard insulation.



20 Leigh Drive,
York, Pennsylvania 17406-8474



Phone: 717-845-8746
Toll-free: 800-445-7511
Fax: 717-845-2864



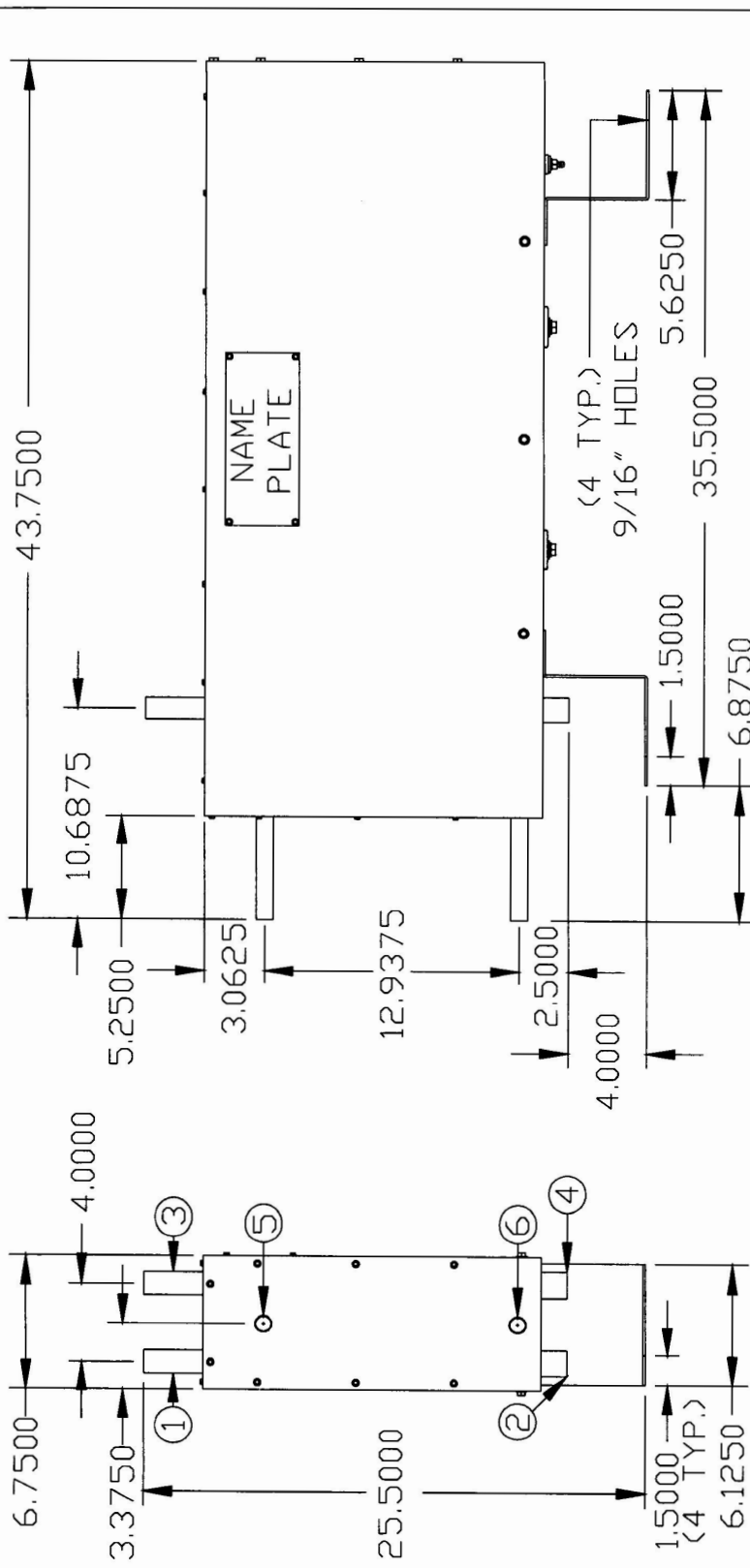
Website: www.doucetteindustries.com



Commercial/Industrial: AdamM@doucetteindustries.com
Residential/Light Commercial: AdamM@doucetteindustries.com



Network User, Doucette Industries 2/25/2013 2:53 PM 96100.dwg



DESIGN PRESSURE:
SHELLSIDE 450PSIG
TUBESIDE 300PSIG

- CONNECTIONS:
- 1.) REFRIGERANT SUPPLY, #1 1-1/8" OD COPPER SWEAT
 - 2.) REFRIGERANT RETURN, #1 1-1/8" ID COPPER SWEAT
 - 3.) REFRIGERANT SUPPLY, #2 1-1/8" OD COPPER SWEAT
 - 4.) REFRIGERANT RETURN, #2 1-1/8" ID COPPER SWEAT
 - 5.) WATER RETURN 7/8" OD COPPER SWEAT
 - 6.) WATER SUPPLY 7/8" OD COPPER SWEAT

TOLERANCES	DOUCETTE INDUSTRIES, INC.	
DECIMAL	.125	SCALE
FRACTIONAL		DRAWN BY: MLB
ANGULAR		APP. BY: RJR
		TITLE
		DATE
		DRAWING NUMBER
		ALL DIMENSIONS INCHES, UNLESS SPECIFIED

38.5 X 6.75 X 17.1875



20 Leigh Drive,
York, Pennsylvania 17406-8474



Phone: 717-845-8746
Toll-free: 800-445-7511
Fax: 717-845-2864



Website: www.doucetteindustries.com



Commercial/Industrial: AdamM@doucetteindustries.com
Residential/Light Commercial: AdamM@doucetteindustries.com