

Item # CTD 10M2, Hydronic Series Liquid to Liquid Heat Exchangers

Boiler Water to Under-Floor Warming/Snow Melt
Single-Wall, Mechanically Cleanable, Tube-in-Tube



Call dii

Specifications

Application	Non-potable
Heat Transfer	250,000 Btuh
Length	42 "
Width	15 "
Height	19 "
Hot Conn	1 5/8 "
Cold Conn	2 1/8 "
Weight	120 lbs

Benefits

- Compatible material for easy installation
- Clog-resistant and mechanically cleanable
- High-performance counterflow design
- Compact, rigid design is ready to install

Features

Available in all-copper construction, the Hydronic Series provides desirable material compatibility for fast and easy installation. The series is also available in 90-10 cupronickel and stainless steel for highly corrosive applications. The Hydronic Series is available in sizes from 50,000 Btu's through 1,000,000 Btu's and Doucette Industries will custom design models for specific applications.



20 Leigh Drive,
York, Pennsylvania 17406-8474



Website: www.doucetteindustries.com



Phone: 717-845-8746
Toll-free: 800-445-7511
Fax: 717-845-2864



Commercial/Industrial: AdamM@doucetteindustries.com
Residential/Light Commercial: AdamM@doucetteindustries.com



Other Applications

- Snow Melt
- Freeze Protection
- Domestic Hot Water
- Industrial Processes
- District Heating Facility
- Solar Energy
- Cogeneration

Rating Conditions and Specifications

Hotside: Boiler Water entering at 180°F, leaving at 160°F. Pressure Drop < 1 psig

Coldside: 50% Glycol entering at 50°F, leaving at 60°F. Pressure Drop < 2 psig

Design Pressure: 300psig both circuits



20 Leigh Drive,
York, Pennsylvania 17406-8474



Phone: 717-845-8746
Toll-free: 800-445-7511
Fax: 717-845-2864



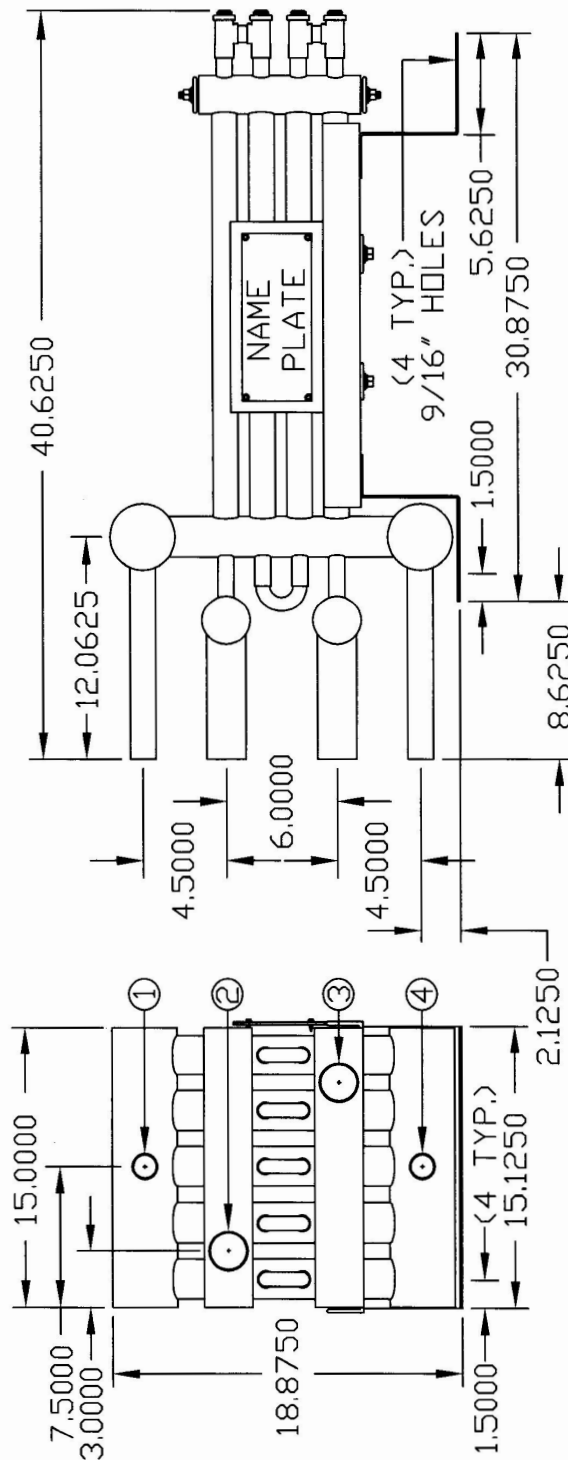
Website: www.doucetteindustries.com



Commercial/Industrial: AdamM@doucetteindustries.com
Residential/Light Commercial: AdamM@doucetteindustries.com



network User, Doucette Industries 1/22/2016 11:42 AM CTD-10M2-1P-4CC(F).dv



DESIGN PRESSURE:
SHELL SIDE 300PSIG
TUBESIDE 300PSIG

TOLERANCES	DOUCETTE INDUSTRIES, INC.	
DECIMAL	SCALE	DRAWN BY: RLK
± .125	.125	APP. BY: RJR
FRACTIONAL	TITLE	CTD 10M2/1P-4CC (F) HP
±	DATE	1/22/16
GAUGE	DRAWING NUMBER	
	ALL DIMENSIONS INCHES, UNLESS SPECIFIED	

CONNECTIONS:	DD	SWEAT	COPPER
1.) HOT SUPPLY	1-3/8"	DD	SWEAT COPPER
2.) COLD RETURN	2-1/8"	DD	SWEAT COPPER
3.) COLD SUPPLY	2-1/8"	DD	SWEAT COPPER
4.) HOT RETURN	1-3/8"	DD	SWEAT COPPER



20 Leigh Drive,
York, Pennsylvania 17406-8474



Phone: 717-845-8746
Toll-free: 800-445-7511
Fax: 717-845-2864



Website: www.doucetteindustries.com



Commercial/Industrial: AdamM@doucetteindustries.com
Residential/Light Commercial: AdamM@doucetteindustries.com