



**doucette**  
industries, inc

## Item # PH-70, Pool Heaters

- High efficiency corrugated titanium coil
- Corrosion resistant PVC plastic shell
- 600 psig DWP coil suitable for R-410A and other refrigerants with 200F maximum
- Handles up to 75 psig pool loops @ 55 gpm maximum
- Easy installation with 5/8" OD sweat copper and 2" female socket connections



**Call dii**

### Specifications

HP	3
Refrig. Conn.	5/8" OD
Water Conn.	2" Nom PVC
Weight	38 lbs



20 Leigh Drive,  
York, Pennsylvania 17406-8474



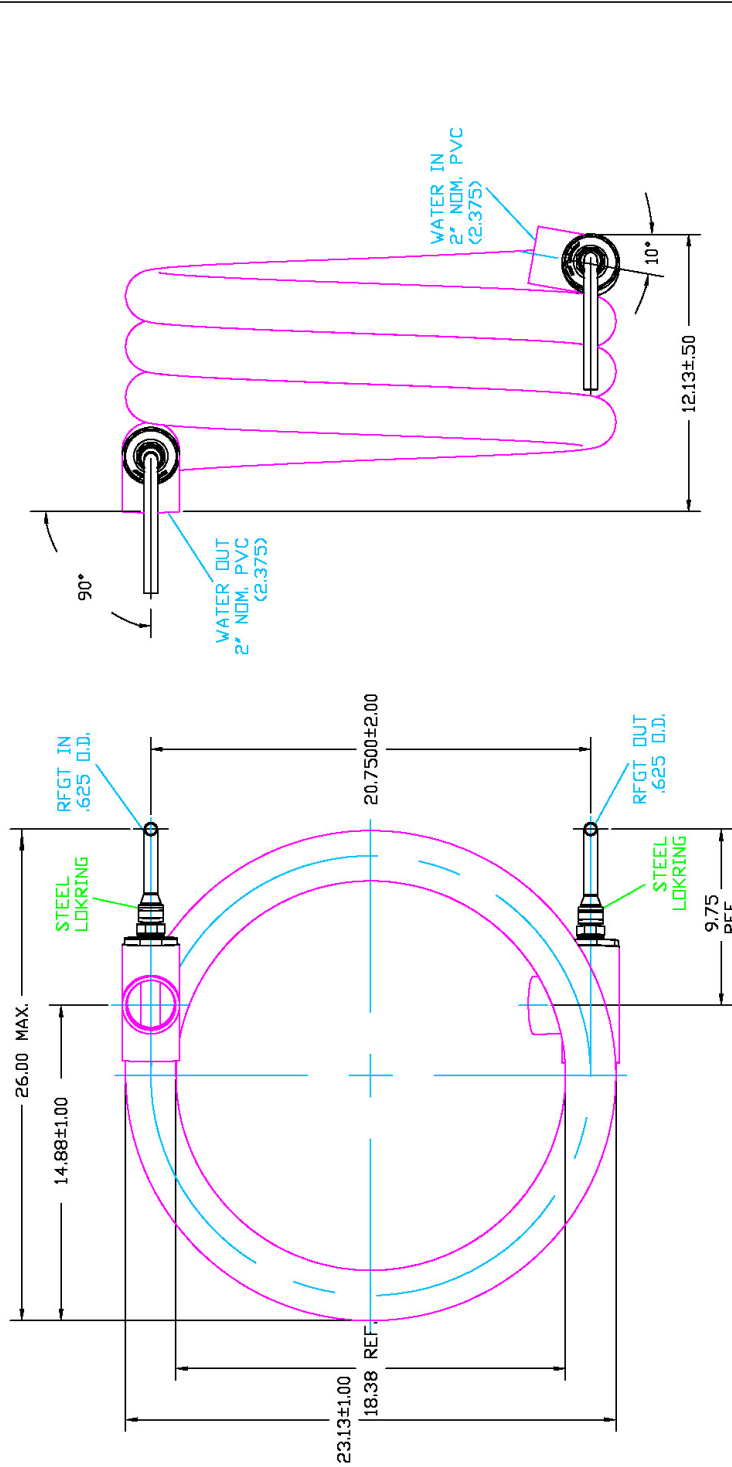
Phone: 717-845-8746  
Toll-free: 800-445-7511  
Fax: 717-845-2864



Website: [www.doucetteindustries.com](http://www.doucetteindustries.com)



Commercial/Industrial: [AdamM@doucetteindustries.com](mailto:AdamM@doucetteindustries.com)  
Residential/Light Commercial: [AdamM@doucetteindustries.com](mailto:AdamM@doucetteindustries.com)



DESIGN CONDITIONS	
PRESSURE (MAX.)	75 PSIG 650 PSIG
FLOW (MAX.)	55 USGPM 1300 LB/HR
TEMP (MAX.)	120°F 200°F
FLUIDS	WATER R410A, R22, R407C

NOTES:

1. PORTS ARE RATED FOR PRESSURE LOADS ONLY. PORTS MAY NOT BE USED FOR SUPPORTING ANY SYSTEM COMPONENTS.
2. PROPER REFRIGERATION PIPING PRACTICES SHOULD BE FOLLOWED TO ISOLATE THE HEAT EXCHANGER FROM SYSTEM VIBRATIONS OR LOAD INDUCED STRESSES.
3. WATER SIDE PLUMBING SHOULD BE DESIGNED TO AVOID DRY FIRING OF THE HEAT EXCHANGER.

TOLERANCES	DOUCETTE INDUSTRIES, INC.		
DECIMAL	DOUCETTE	SCALE	DRAWN BY: DCM
±	70-R410A	.125	APP. BY: RJR
FRACTIONAL	TITLE PH-70-410A		
±	DATE 4/4/22 DRAWING NUMBER 96805		
ANGULAR	ALL DIMENSIONS INCHES, UNLESS SPECIFIED		
±			
GAUGE			

