



**Call dii**

## Item # TX30T1, Shell & Tube Single Circuit Chiller Barrel

**Heavy - Duty Construction - 5 to 125 tons**

Shell & Tube "Chiller-Barrels" featuring heavy-walled 3/4" OD enhanced tubing and ring cover construction for ease of service.

- Shells - Steel pipe to ASME specification. Shells are shot blasted and cleaned prior to assembly.
- Tubes - Copper high performance enhanced design, roller expanded into multiple-grooved tube sheet.
- Tube sheet - Flange quality steel to ASME specifications. Precision machined for excellent sealing.
- Baffles - Hot-rolled steel for enhanced strength and reliability. Engineered for correct fit to reduce tube wall damage from high velocity fluids.
- Heads - Fabricated to ASME specifications using steel ring and cover design with superior gas distribution.
- Connections - Fluid connections 3" IPS and smaller terminate as MPT type. Fluid connections 4" IPS and larger terminate in 150 Lb. ANSI raised face. refrigerant connections are steel and bored to ODS of copper tubing. Thermowell, vent and drain are provided.
- Codes - The refrigerant side is constructed to the latest edition of the ASME Section VIII Div. 1 code and stamped accordingly. Refrigerant side pressure is designed for 250 PSI at 100eF. Shell side design pressure is 150 PSI at 120eF. Both circuits are tested at 1.25 times the design pressure under water and dried prior to sealing.
- Finish - Exterior surfaces are cleaned and painted with a medium gray enamel paint.
- Insulation - Single thickness of 3/4" Armaflex insulation included.

Nominal tons capacity based on 12,000 BTUH per ton, 44° leaving water temperature, 10° range with R-22 service at 35° evaporating temperature. Comprehensive rating tables are available for R-22, R-134a and R-404a. Capacity includes 0.00025 additive fouling, 0.0005 total fouling factor.

**Please consult factory for additional information.**



20 Leigh Drive,  
York, Pennsylvania 17406-8474



Phone: 717-845-8746  
Toll-free: 800-445-7511  
Fax: 717-845-2864



Website: [www.doucetteindustries.com](http://www.doucetteindustries.com)



Commercial/Industrial: [AdamM@doucetteindustries.com](mailto:AdamM@doucetteindustries.com)  
Residential/Light Commercial: [AdamM@doucetteindustries.com](mailto:AdamM@doucetteindustries.com)



### Specifications

TR	29.8
Dia.-in.	6-5/8
Length-in.	81-3/4
Height-in.	13-1/2
Refrig. Inlet-in.	1-1/8
Refrig. Outlet-in.	2-5/8
Refrig. DWP-psig	300
Water-FPT	3 MPT
Water DWP-psig	150
Weight-lbs.	414
Details	All carbon steel construction with j"OD enhanced copper tubes for TX models and 3/8"OD for TXC models. U.L. or ASME Code design 3/4 insulation
Rating	TR = 12,000 Btuh, R-22 @ 35F ET, water 54/44F.
Water Connection Orientation	TX Models at 12 o'clock top TXC Models at 3 o'clock side when facing refrigerant connections end



20 Leigh Drive,  
York, Pennsylvania 17406-8474



Phone: 717-845-8746  
Toll-free: 800-445-7511  
Fax: 717-845-2864



Website: [www.doucetteindustries.com](http://www.doucetteindustries.com)

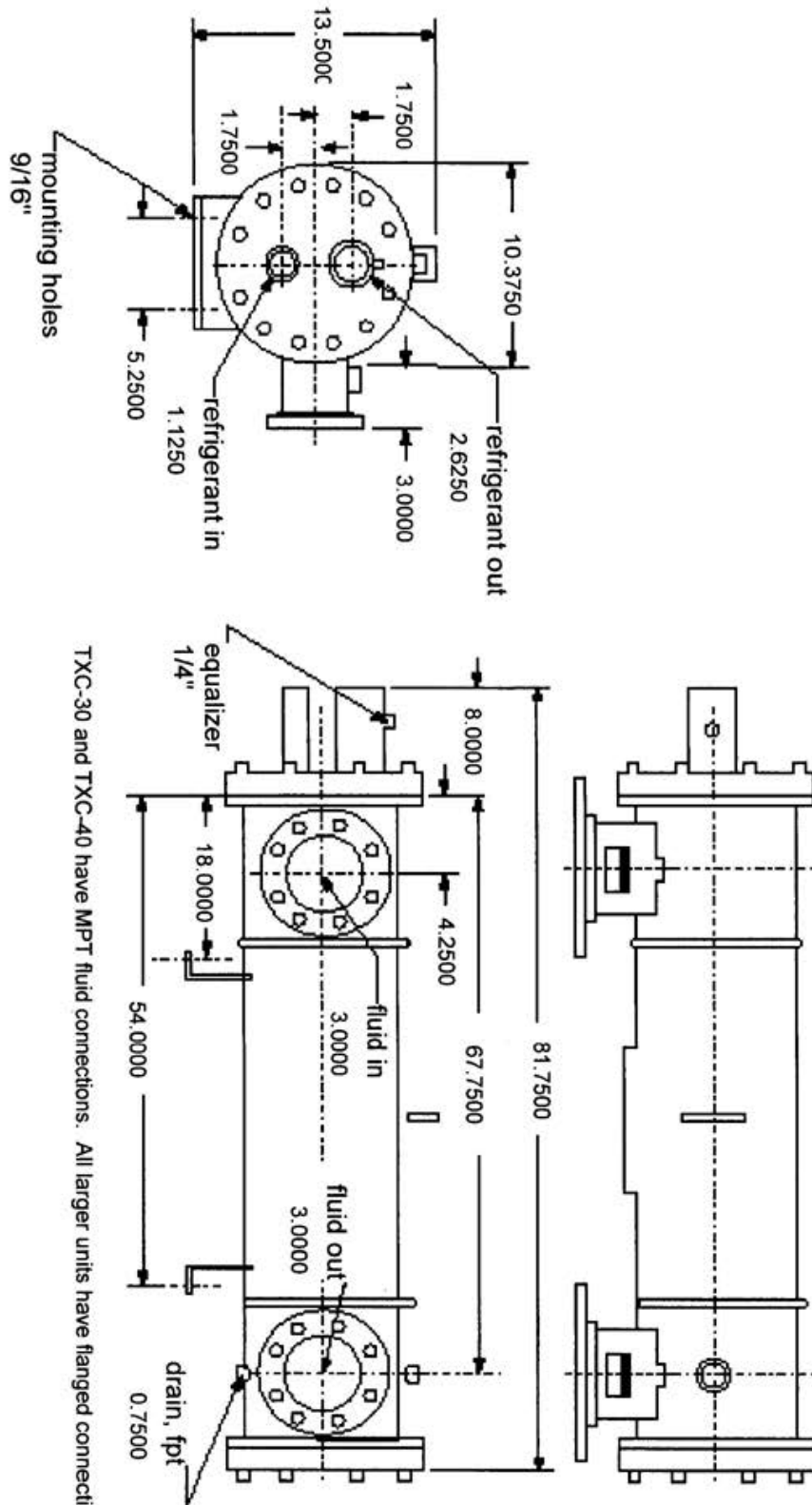


Commercial/Industrial: [AdamM@doucetteindustries.com](mailto:AdamM@doucetteindustries.com)  
Residential/Light Commercial: [AdamM@doucetteindustries.com](mailto:AdamM@doucetteindustries.com)



Dimensions in inches, and do not include 3/4" factory insulation.

*Doucette Industries reserves the right to change design or specifications without notice.*



TXC30-1

TXC-30 and TXC-40 have MPT fluid connections. All larger units have flanged connections.



20 Leigh Drive,  
York, Pennsylvania 17406-8474



Phone: 717-845-8746  
Toll-free: 800-445-7511  
Fax: 717-845-2864



Website: [www.doucetteindustries.com](http://www.doucetteindustries.com)



Commercial/Industrial: [AdamM@doucetteindustries.com](mailto:AdamM@doucetteindustries.com)  
Residential/Light Commercial: [AdamM@doucetteindustries.com](mailto:AdamM@doucetteindustries.com)