



## Item # VIB 12, Vibration Absorbers

Minimize compressor and pump vibration right at the source with Doucette Industries' Vibration Absorbers. The original flexible connectors that are still standards of the industry. Custom lengths, connections and design pressures are available.

### Specifications

Hose ID	2 "
Conn ID	2-1/8 " copper sweat
Length	20 "
Material	Bronze hose and braid
DWP	190 psig
Weight	4.1 lbs
Other Certifications	UL File No. 6270 (UL and cUL Listed), ISO9001:2015
Note	For low side application only

### Features

- Absorb vibration and noise in refrigeration and air conditioning systems
- Extended compressor life by relieving stress on housing and cutting down bearing wear
- Prevent leakage at tube connections and cut service costs
- Long-life stainless steel construction
- Each unit individually tested and cleaned, then sealed in polyethylene bag
- Approved and specified by major compressor manufacturers.
- All parts are fabricated by certified brazers
- All stainless steel units are constructed with stainless steel hose and braid, copper sweat connections
- UL File No. 6270 (UL and cUL Listed)

### Warning

For applications below freezing, condensation may collect and freeze under braid, collapsing convolutions. Wrap entire length of Vib-Absorber with vapor barrier tape, heat shrink P.V.C. or seal with other waterproof material.



20 Leigh Drive,  
York, Pennsylvania 17406-8474



Website: [www.doucetteindustries.com](http://www.doucetteindustries.com)



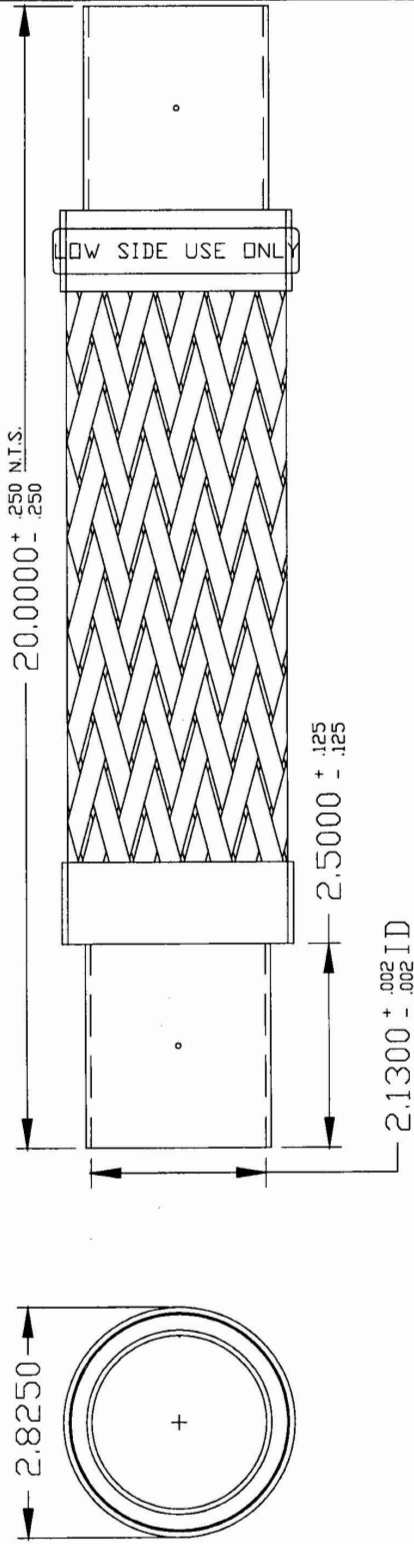
Phone: 717-845-8746  
Toll-free: 800-445-7511  
Fax: 717-845-2864



Commercial/Industrial: [AdamM@doucetteindustries.com](mailto:AdamM@doucetteindustries.com)  
Residential/Light Commercial: [AdamM@doucetteindustries.com](mailto:AdamM@doucetteindustries.com)



Network User, Doucette Industries 2/10/2015 1:11 PM C39255.dwg



DESIGN PRESSURE: 190PSIG

TOLERANCES	DOUCETTE INDUSTRIES, INC.	
DECIMAL	SCALE	DRAWN BY: RLK
+	.500	APP. BY: RJR
FRACTIONAL	TITLE	VIB 12 X 20 (NON-UL)
+	DATE	2/19/13
ANGULAR	DRAWING NUMBER	C39255
+	ALL DIMENSIONS INCHES, UNLESS SPECIFIED	
GAUGE		



20 Leigh Drive,  
York, Pennsylvania 17406-8474



Phone: 717-845-8746  
Toll-free: 800-445-7511  
Fax: 717-845-2864



Website: [www.doucetteindustries.com](http://www.doucetteindustries.com)



Commercial/Industrial: [AdamM@doucetteindustries.com](mailto:AdamM@doucetteindustries.com)  
Residential/Light Commercial: [AdamM@doucetteindustries.com](mailto:AdamM@doucetteindustries.com)